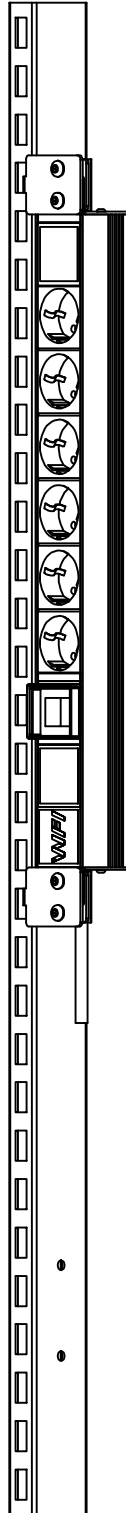


3- 286

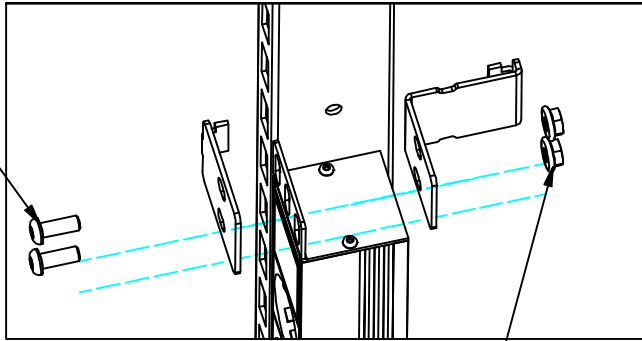
Power Bar Vertikal complete 480 mm



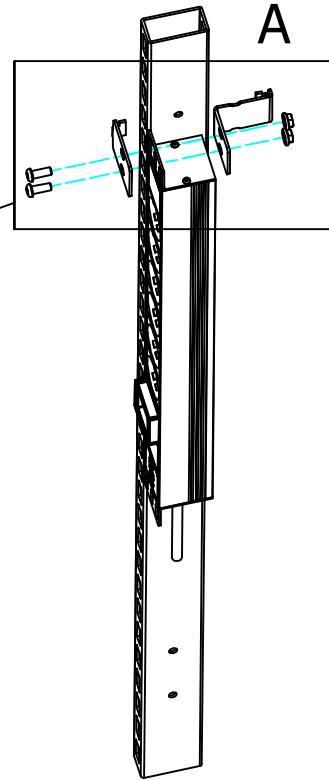
1

A (1 : 3)

K6s M6x16



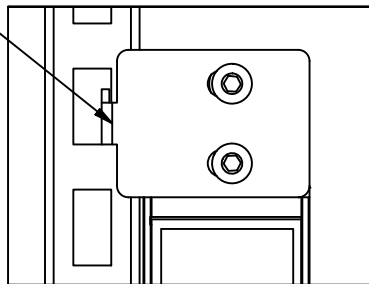
Flanged nut M6



Press down

then tighten the screws

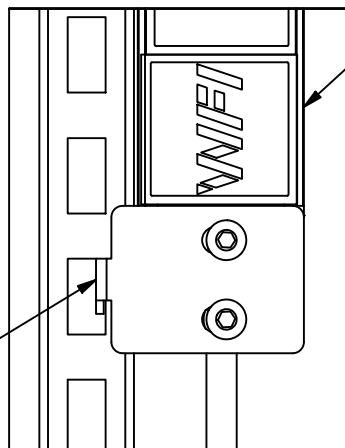
B (1 : 2)



2

C (1 : 2)

Press the powerbar
against perforated upright.



Press up

then tighten the screws

