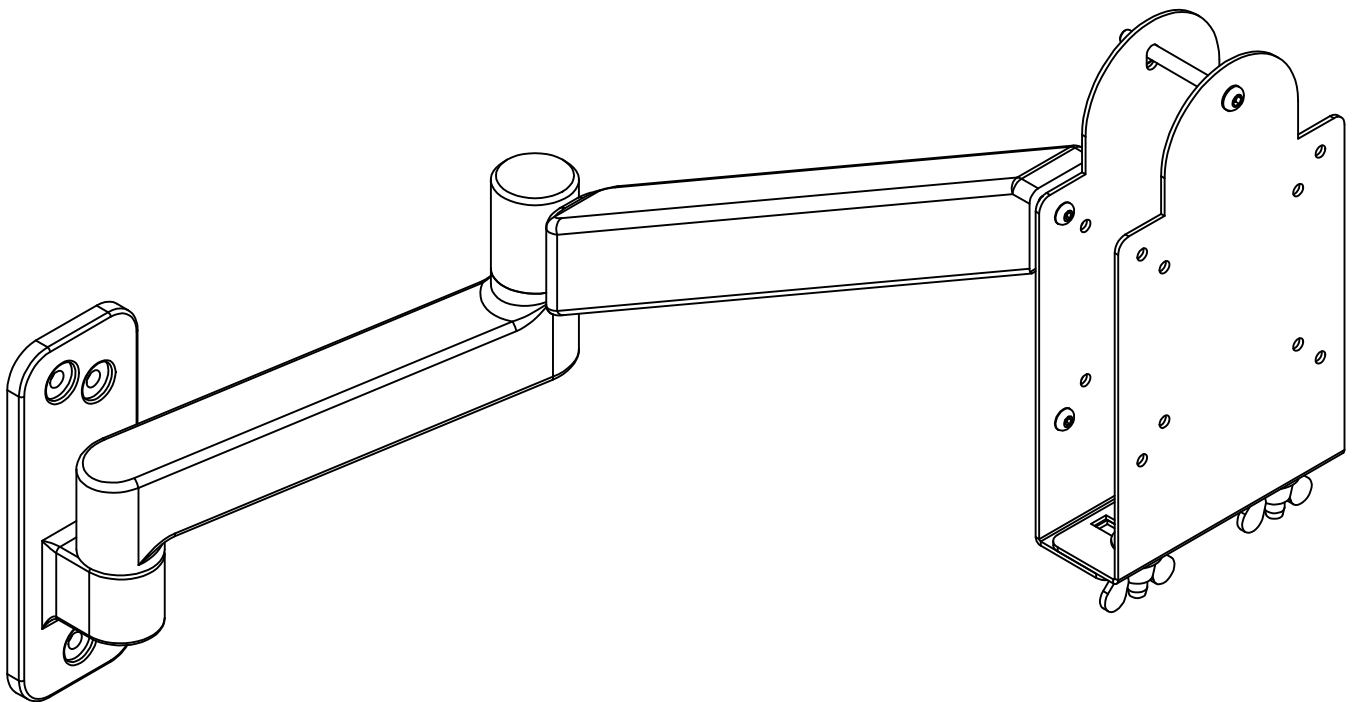
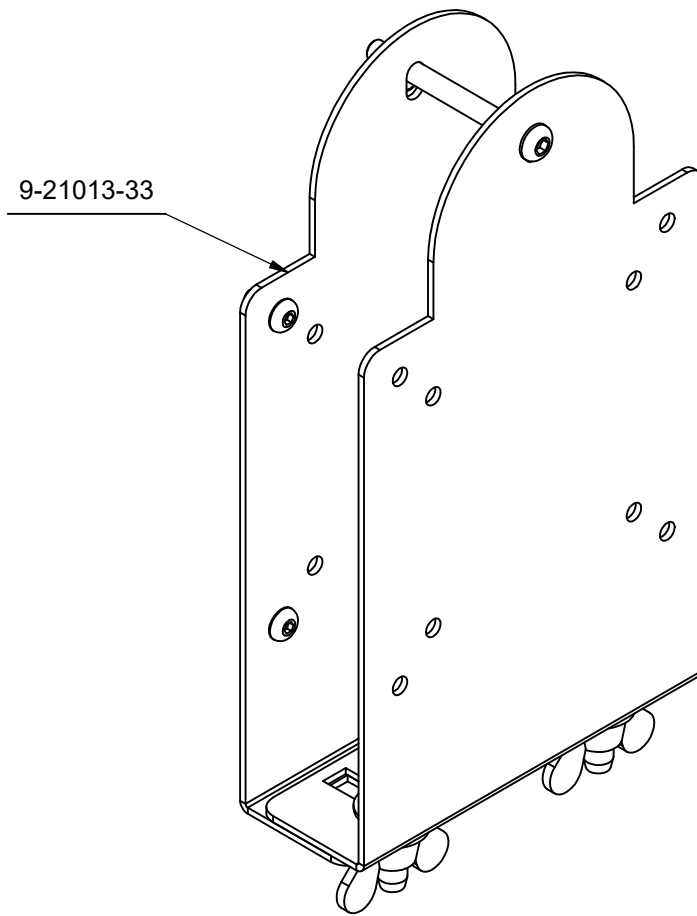


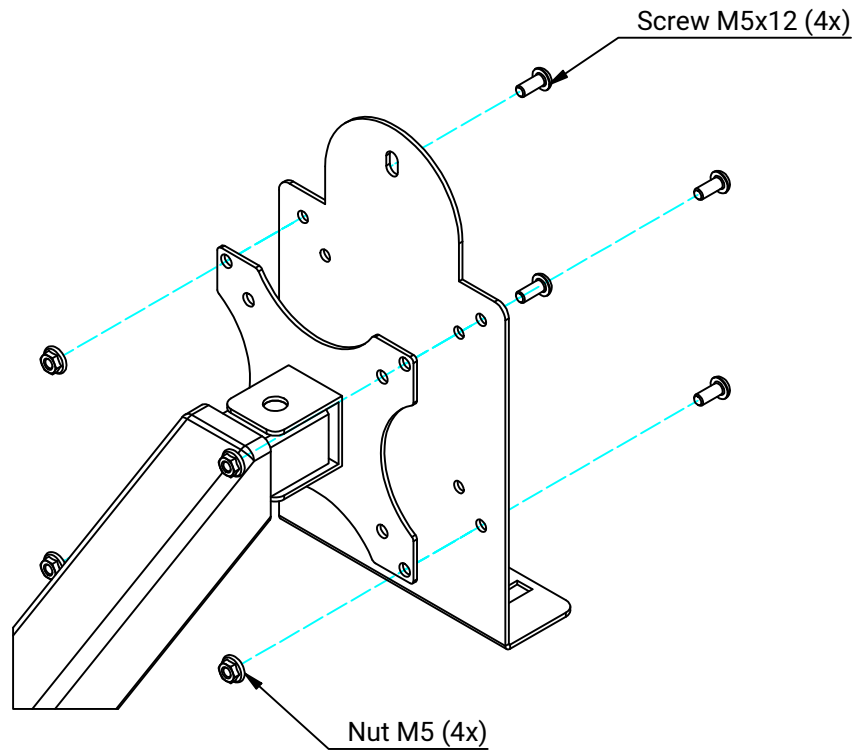
9-21013-33

Thin client holder and monitor bracket

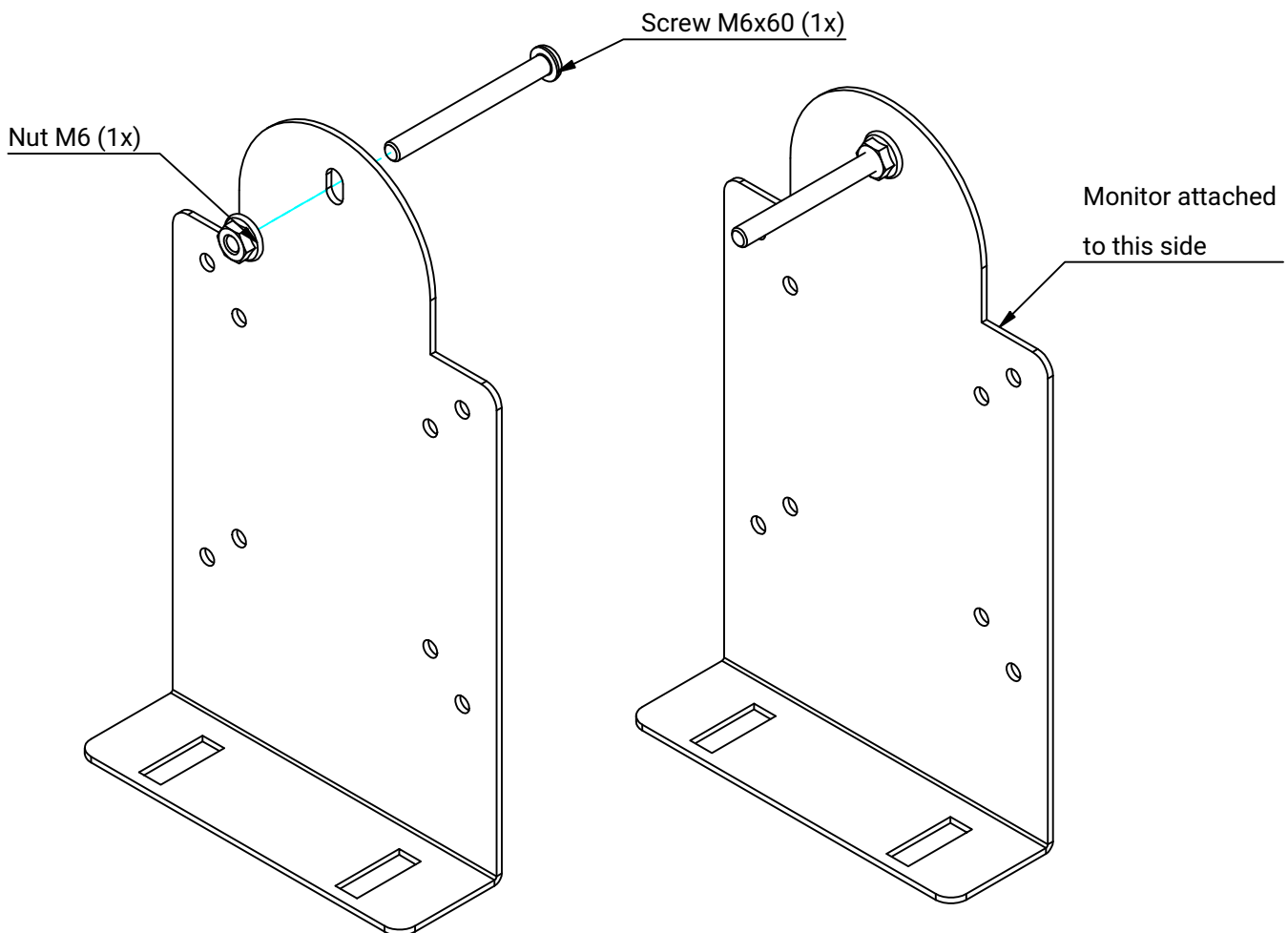




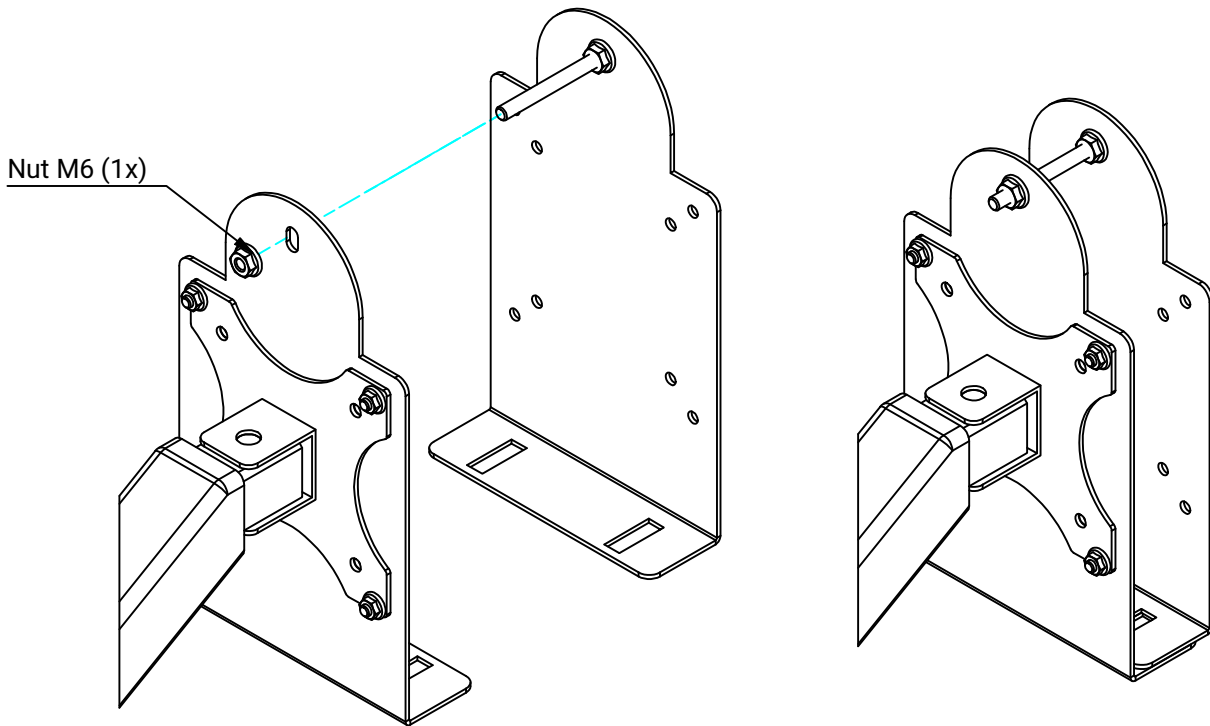
1



2



3



4

