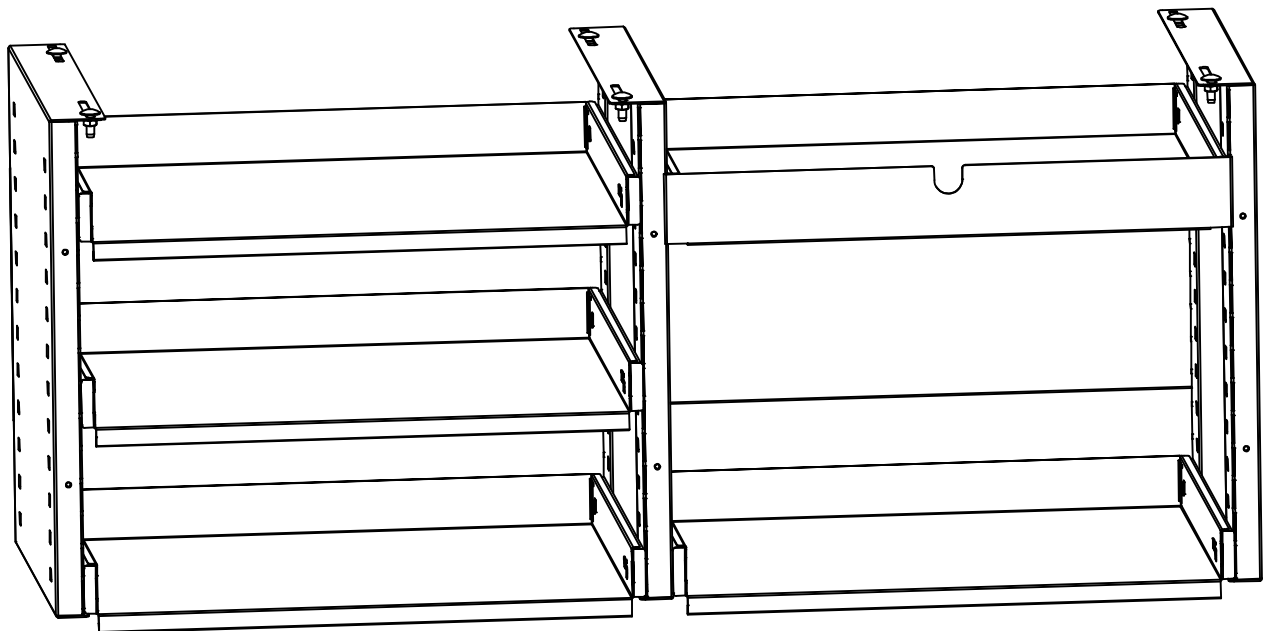
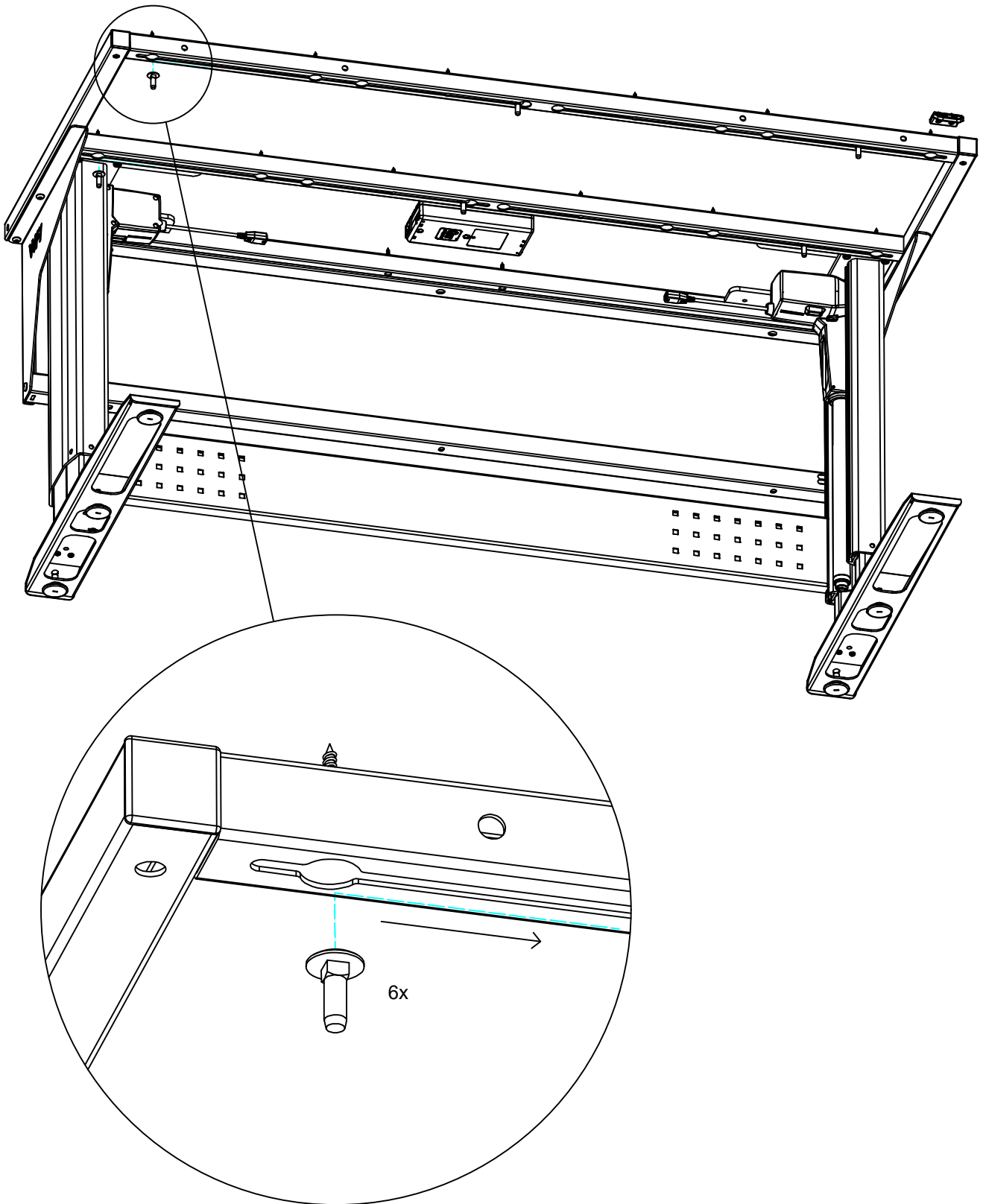


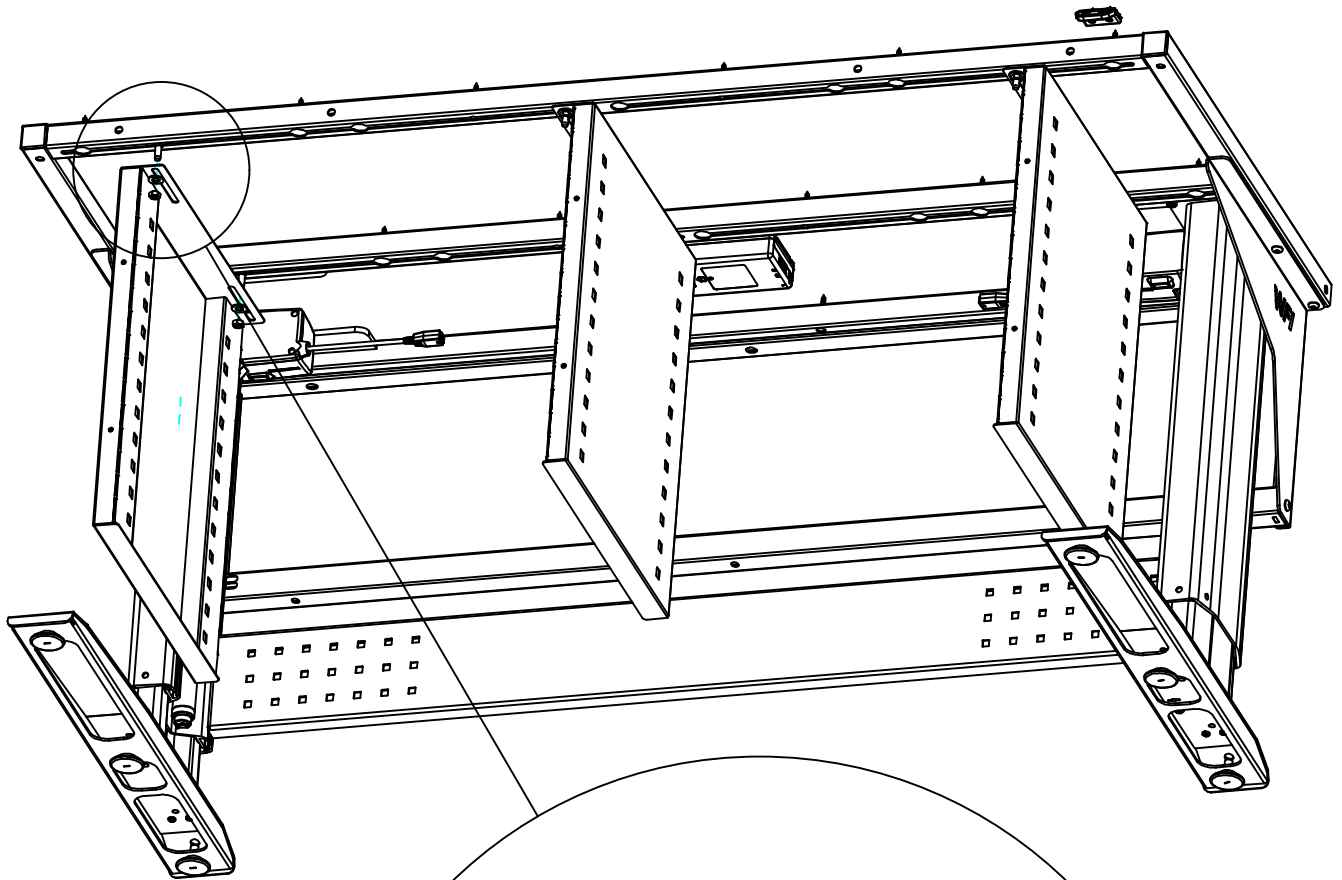
9-22032-00X

Pull out lower shelf

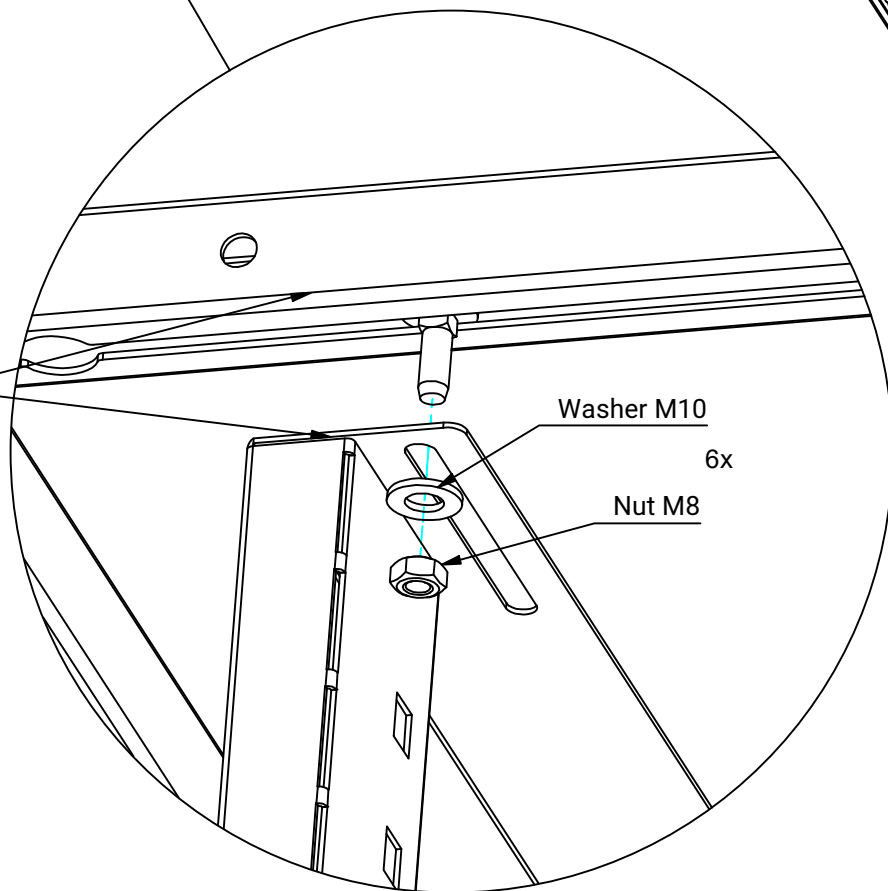


W 400 & W 600





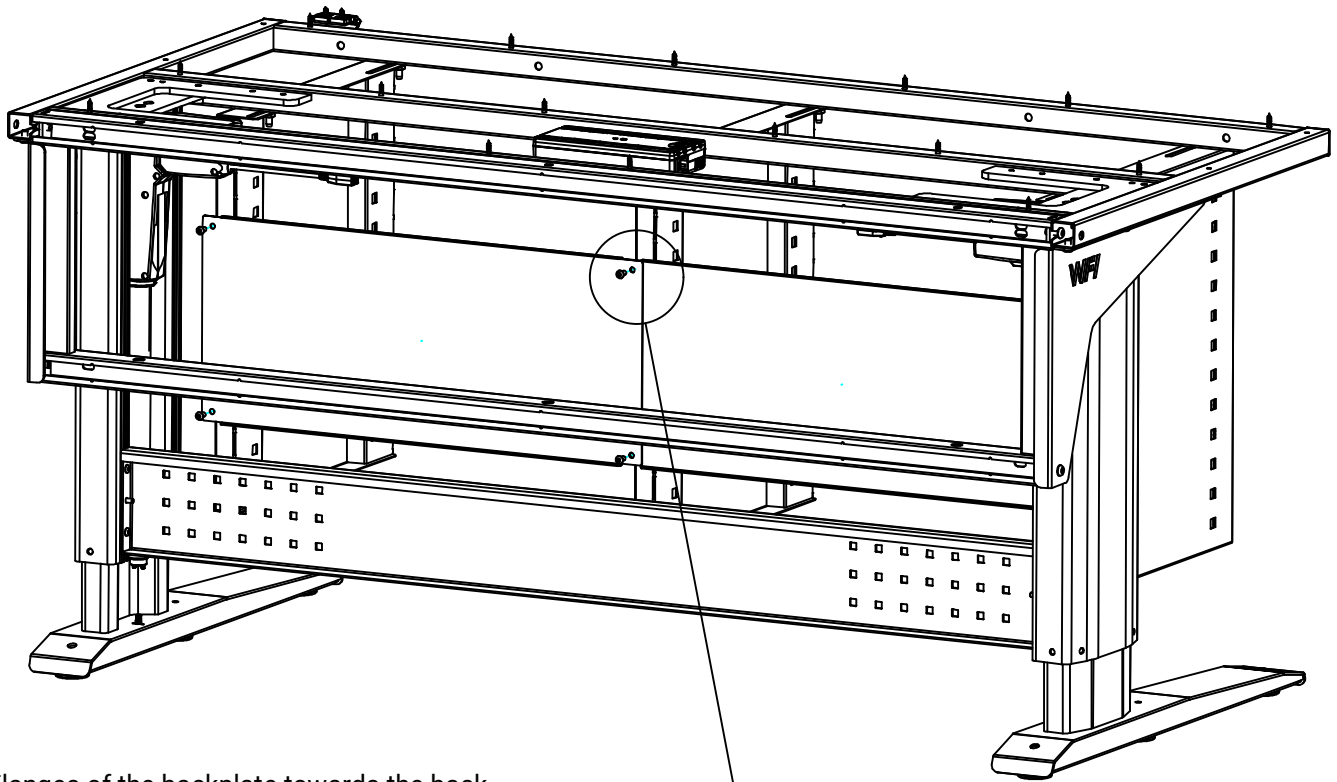
Edge of gable aligned
to edge of C-profile



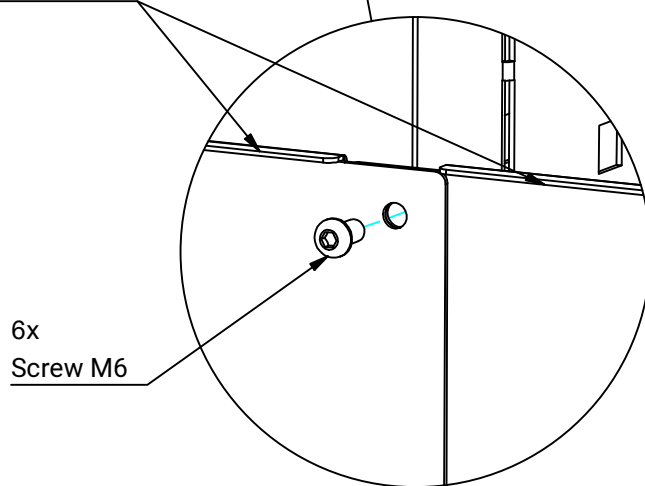
Washer M10

6x

Nut M8

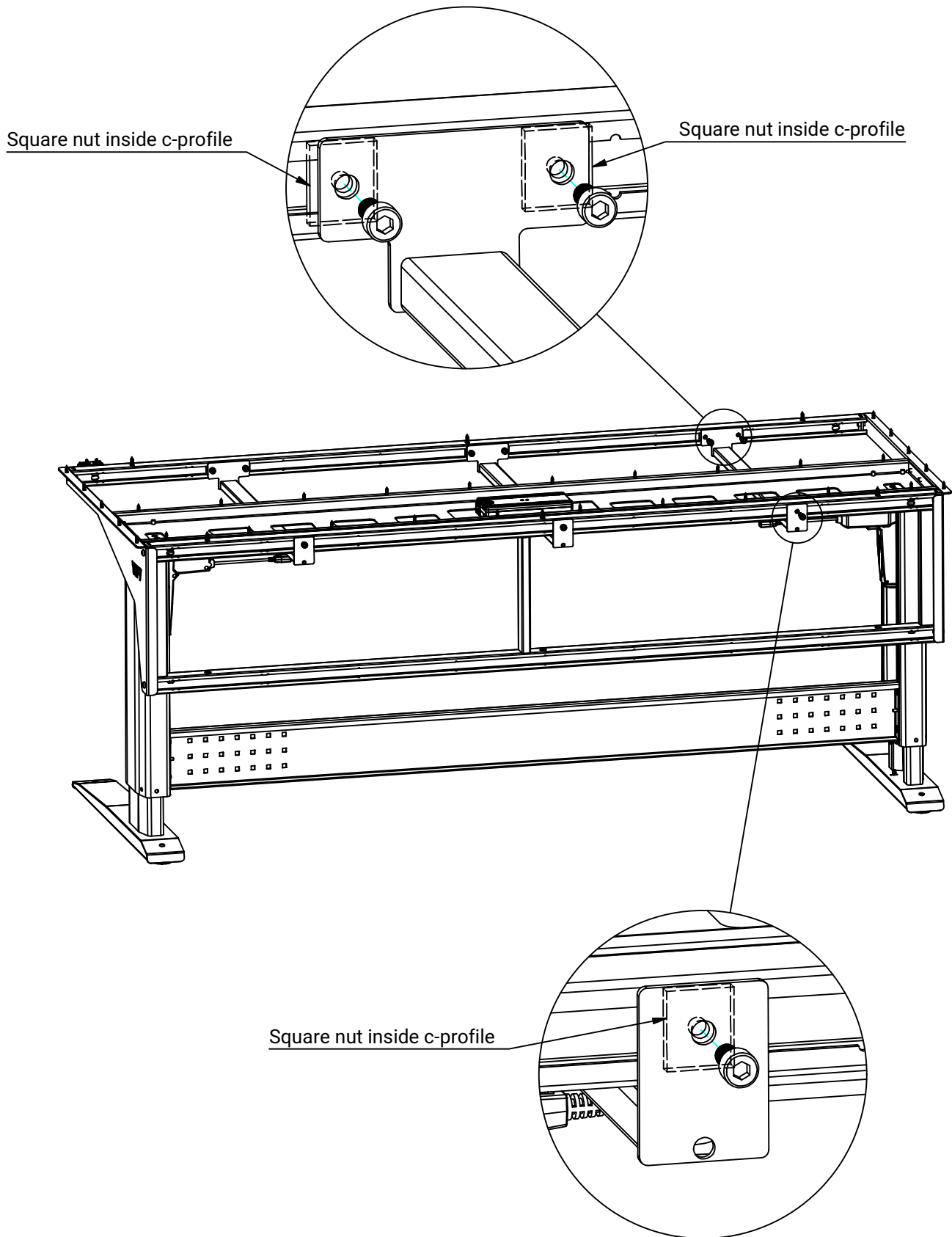


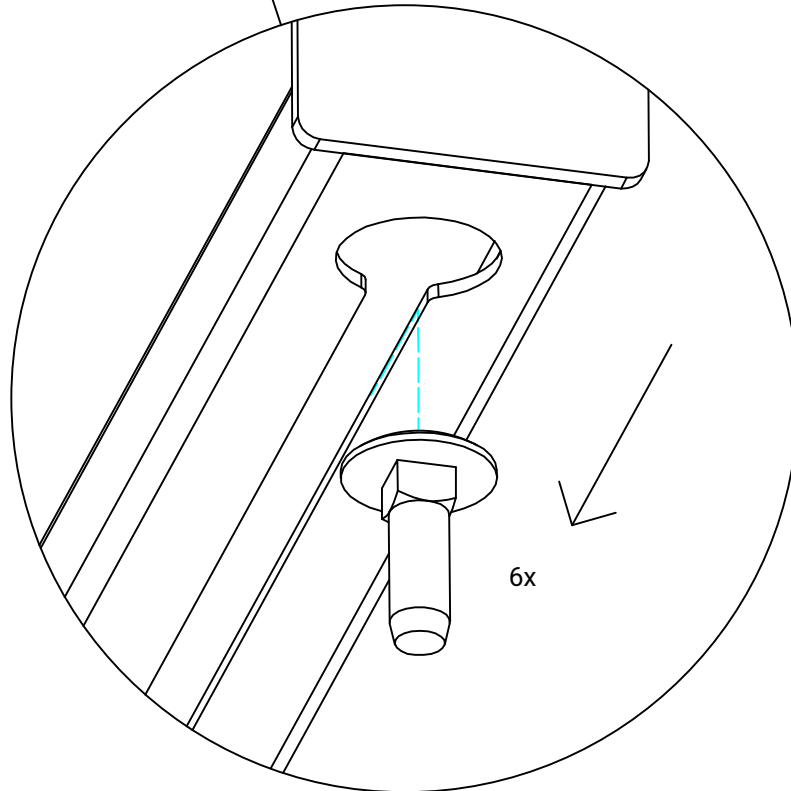
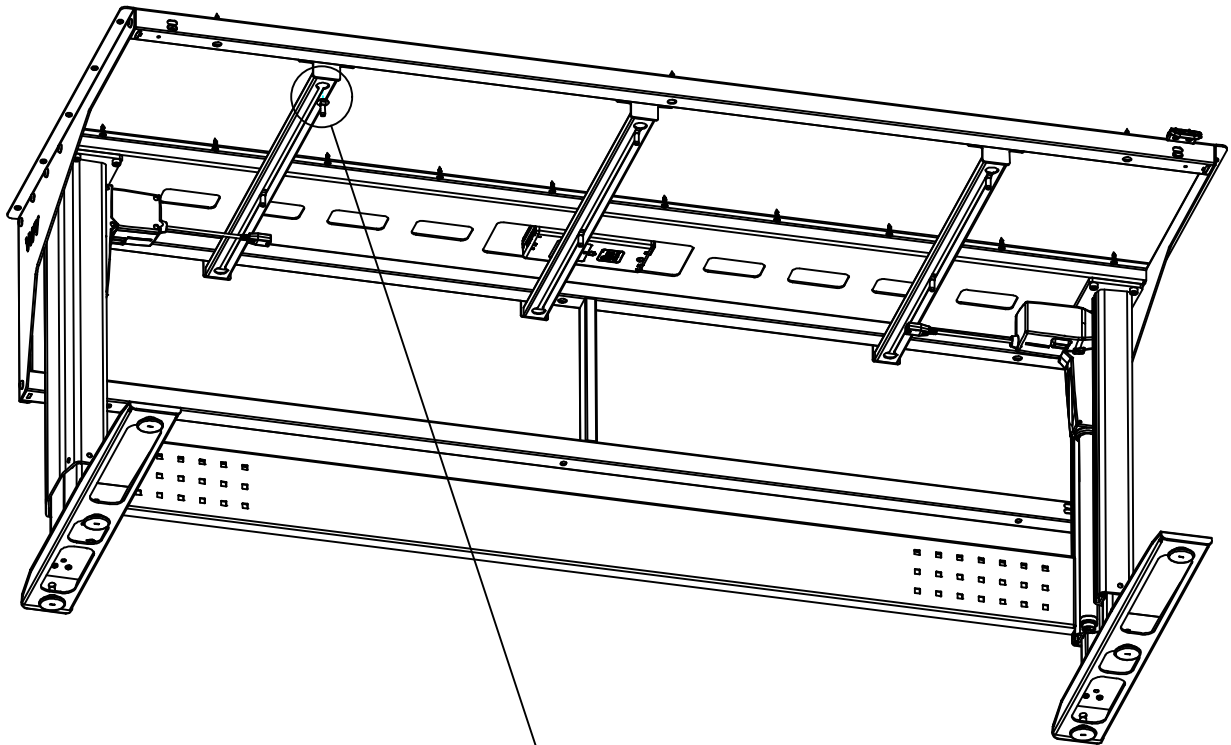
Flanges of the backplate towards the back

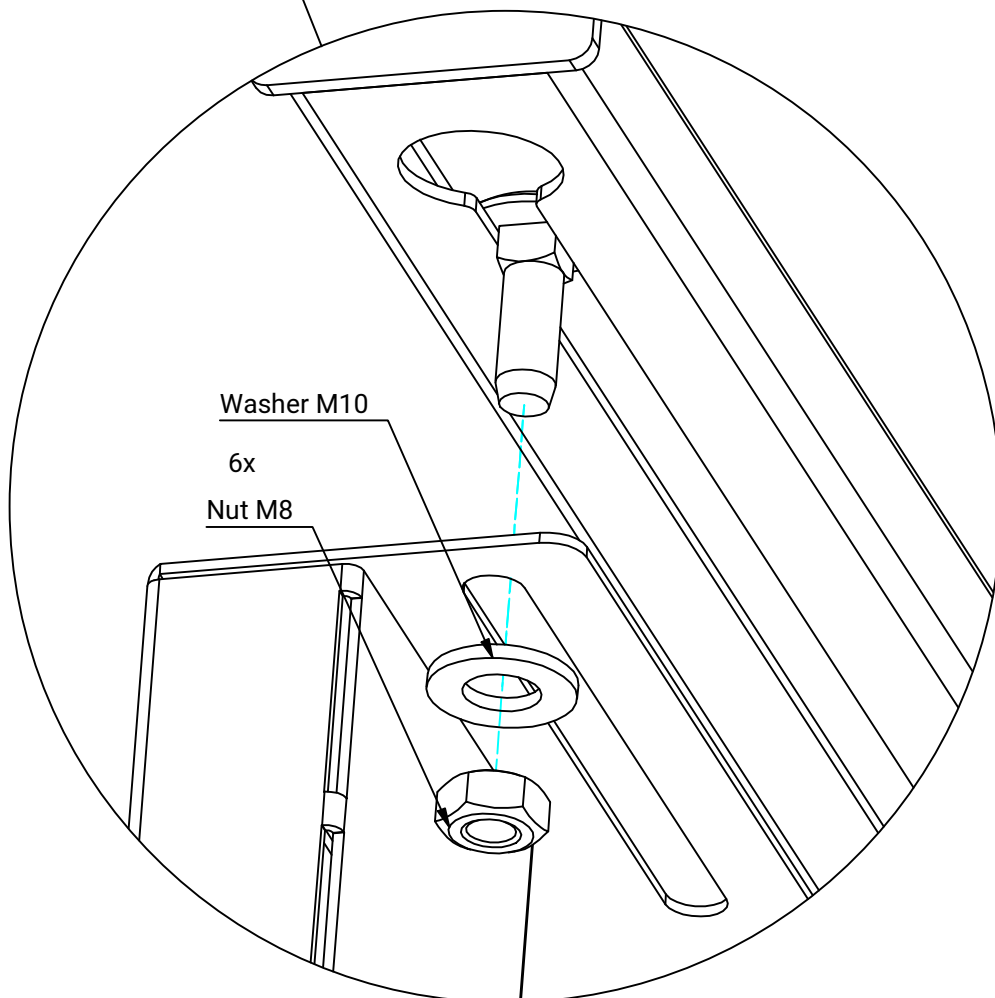
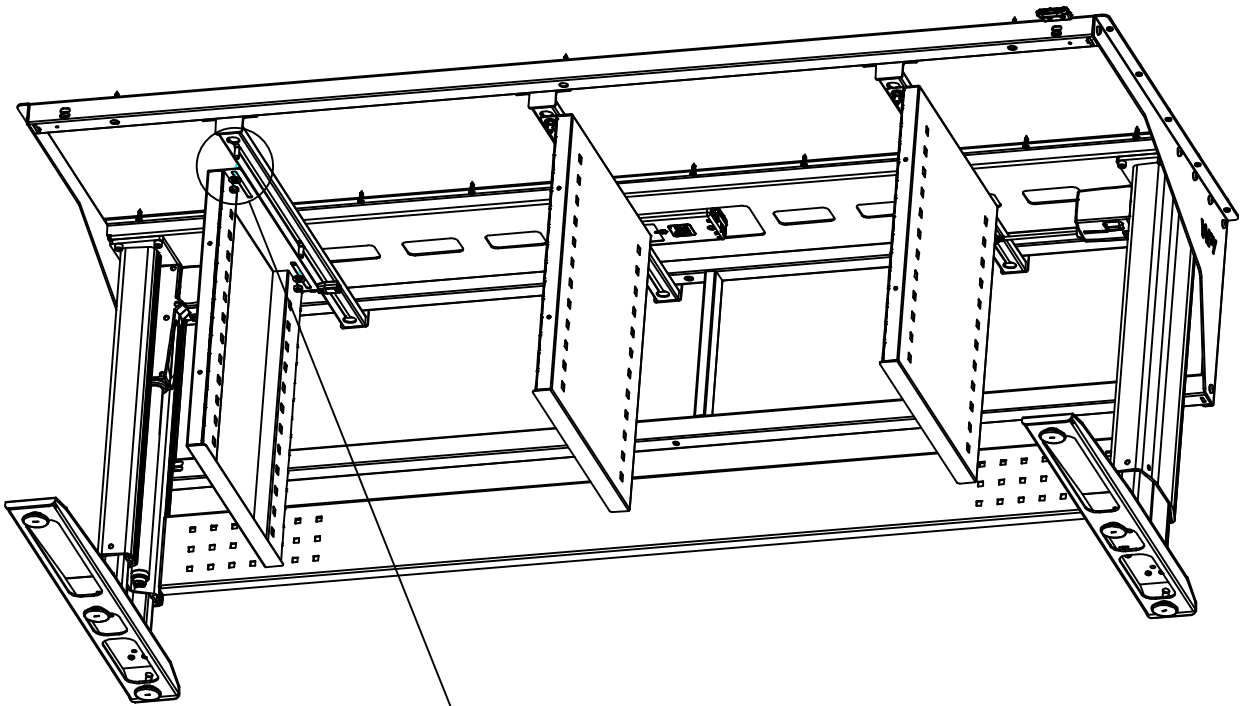


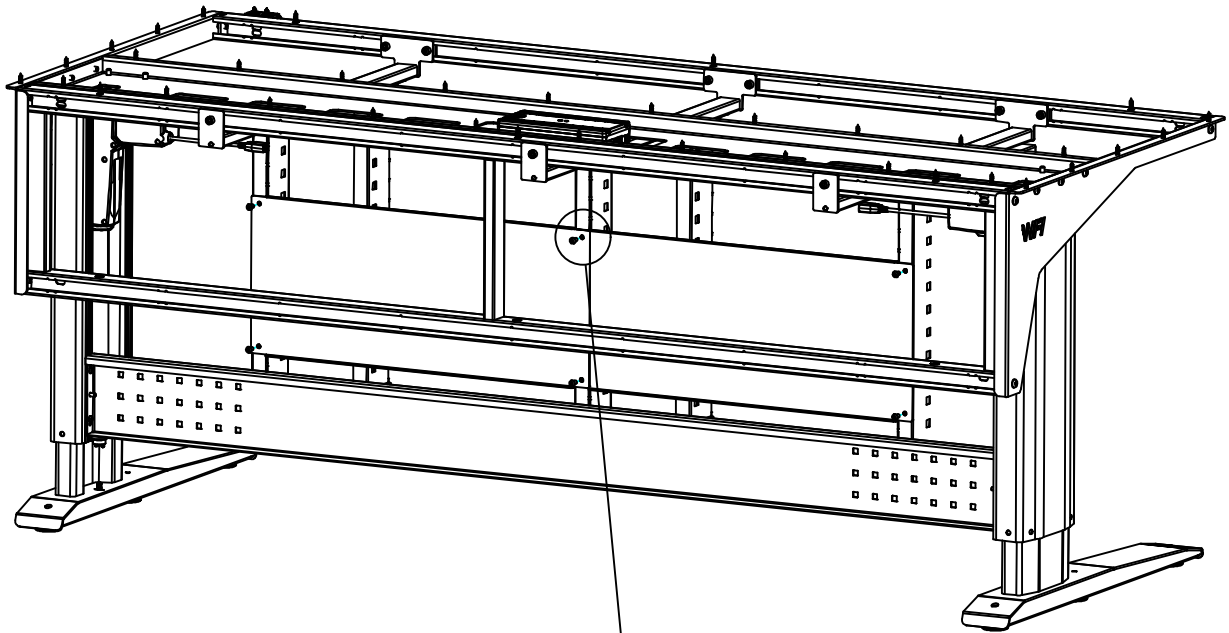
6x
Screw M6

W 300



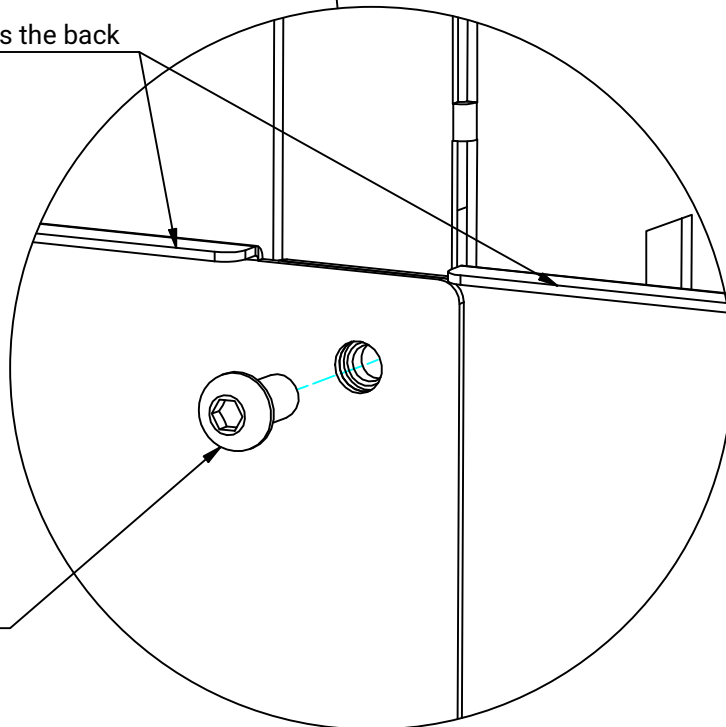




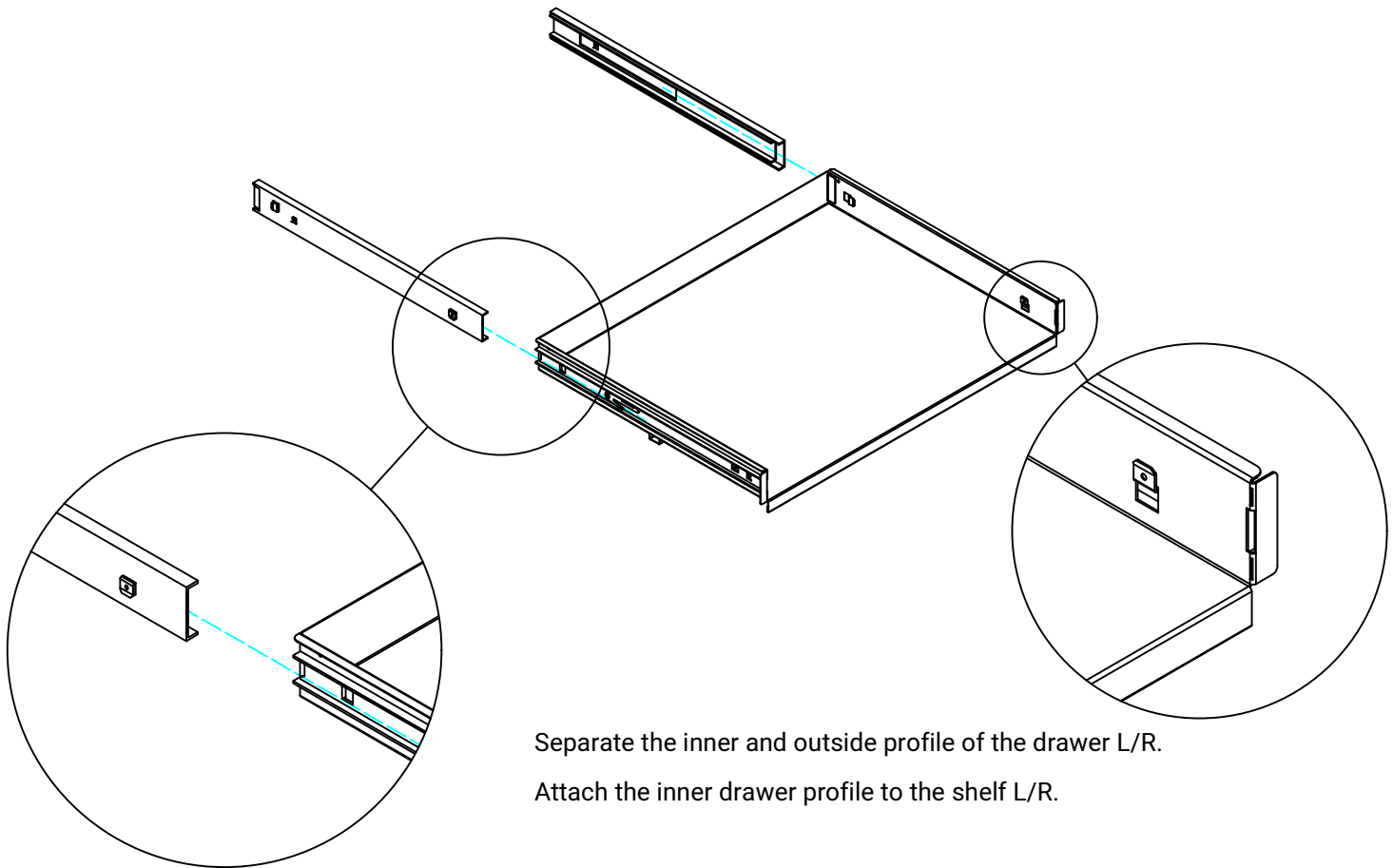


Flanges of backplate towards the back

M6 (6x)



Following steps are the same for W 300, W 400 & W 600

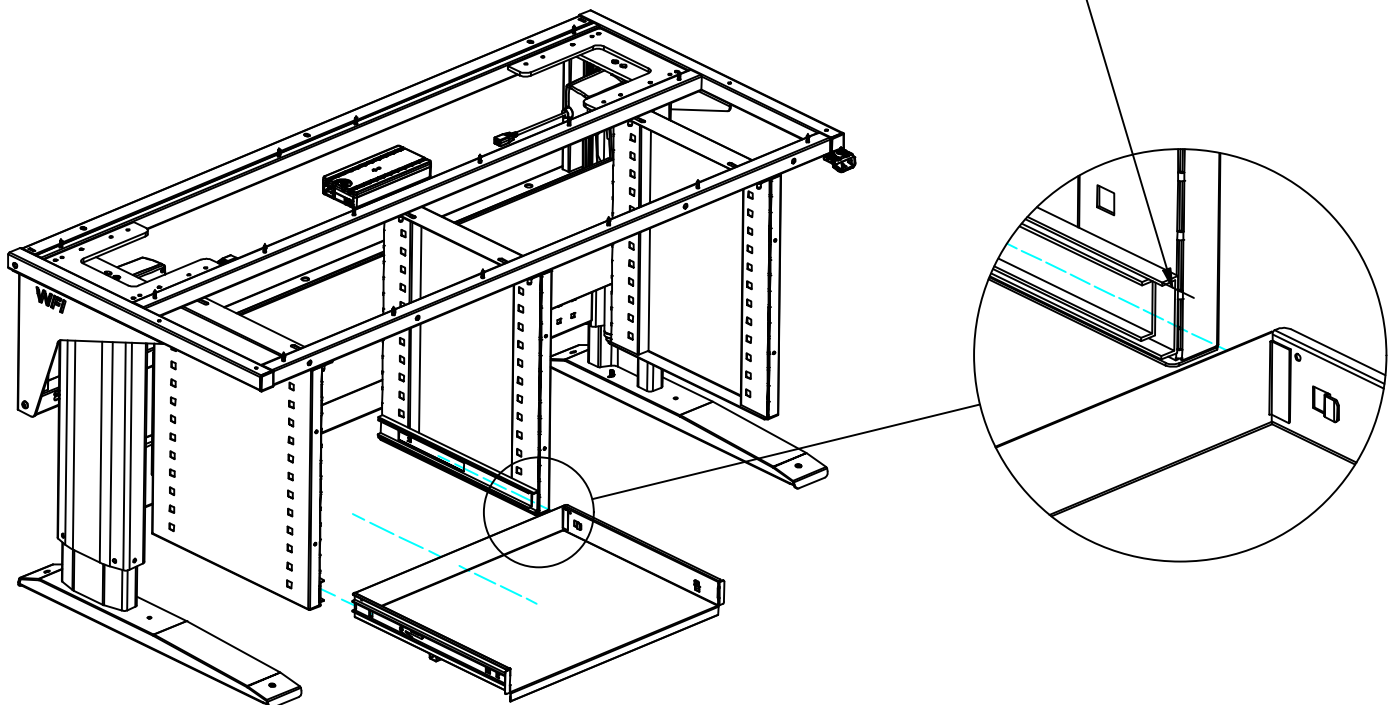


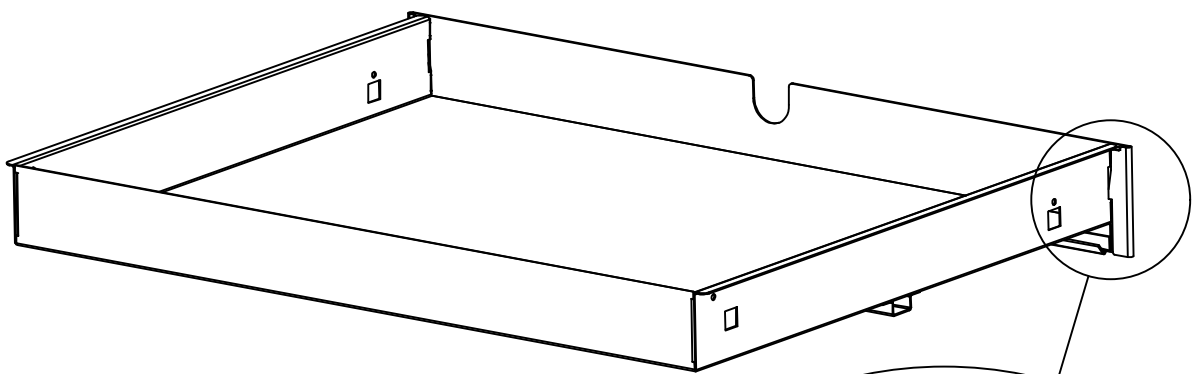
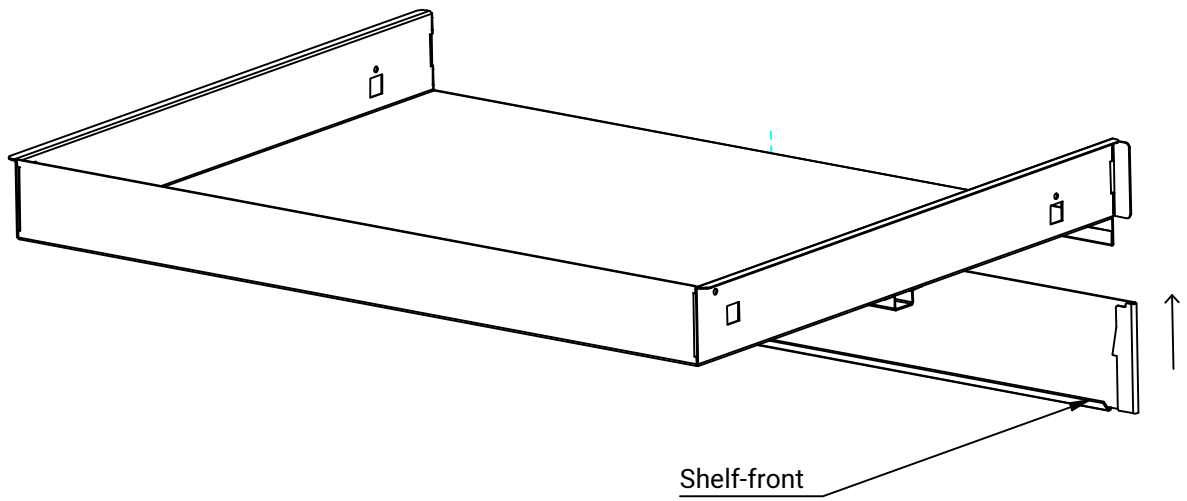
Separate the inner and outside profile of the drawer L/R.

Attach the inner drawer profile to the shelf L/R.

Attach the outer drawer profiles to the gables L/R.

Insert the shelf with the inner drawer profiles.





The shelf-front snaps into the slots of the shelf

