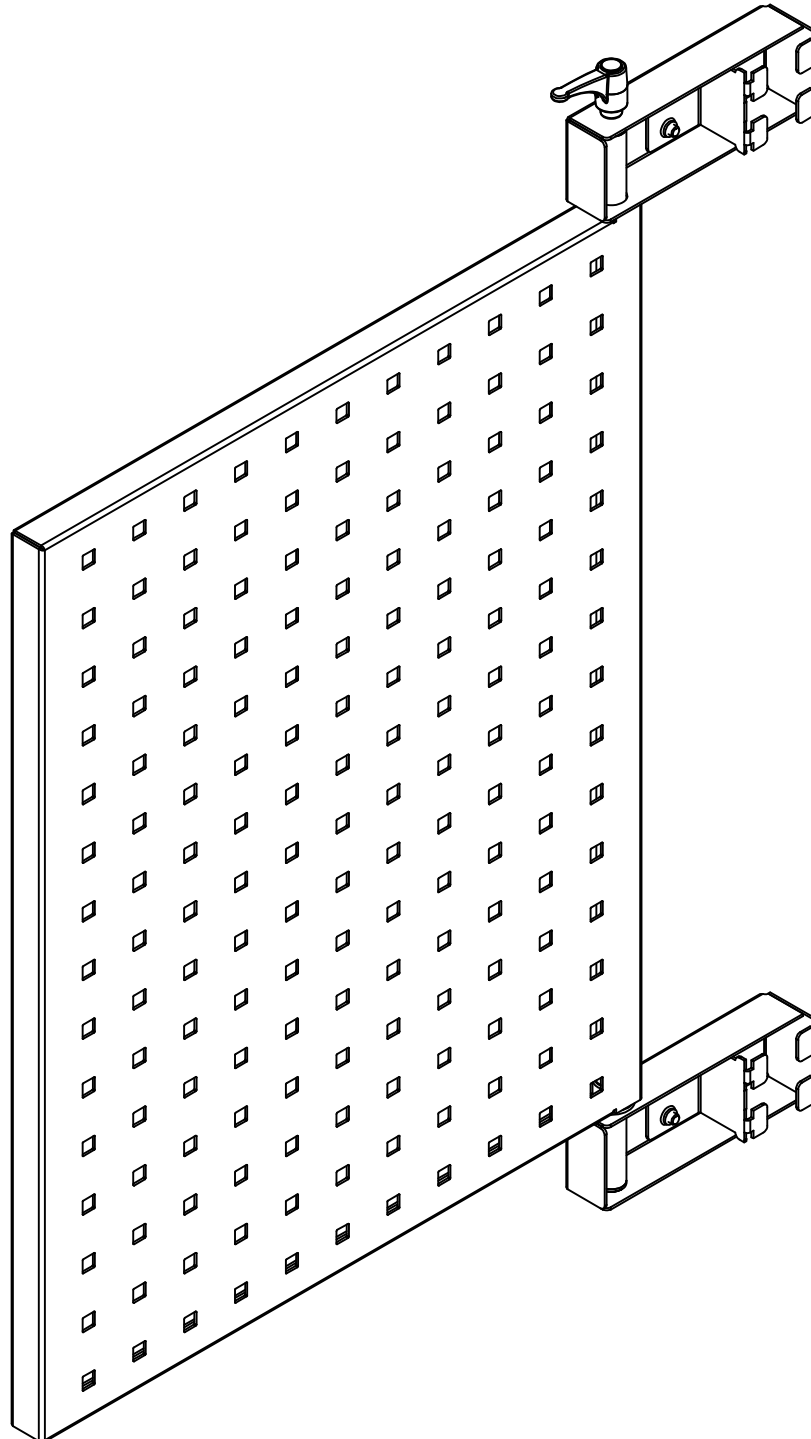
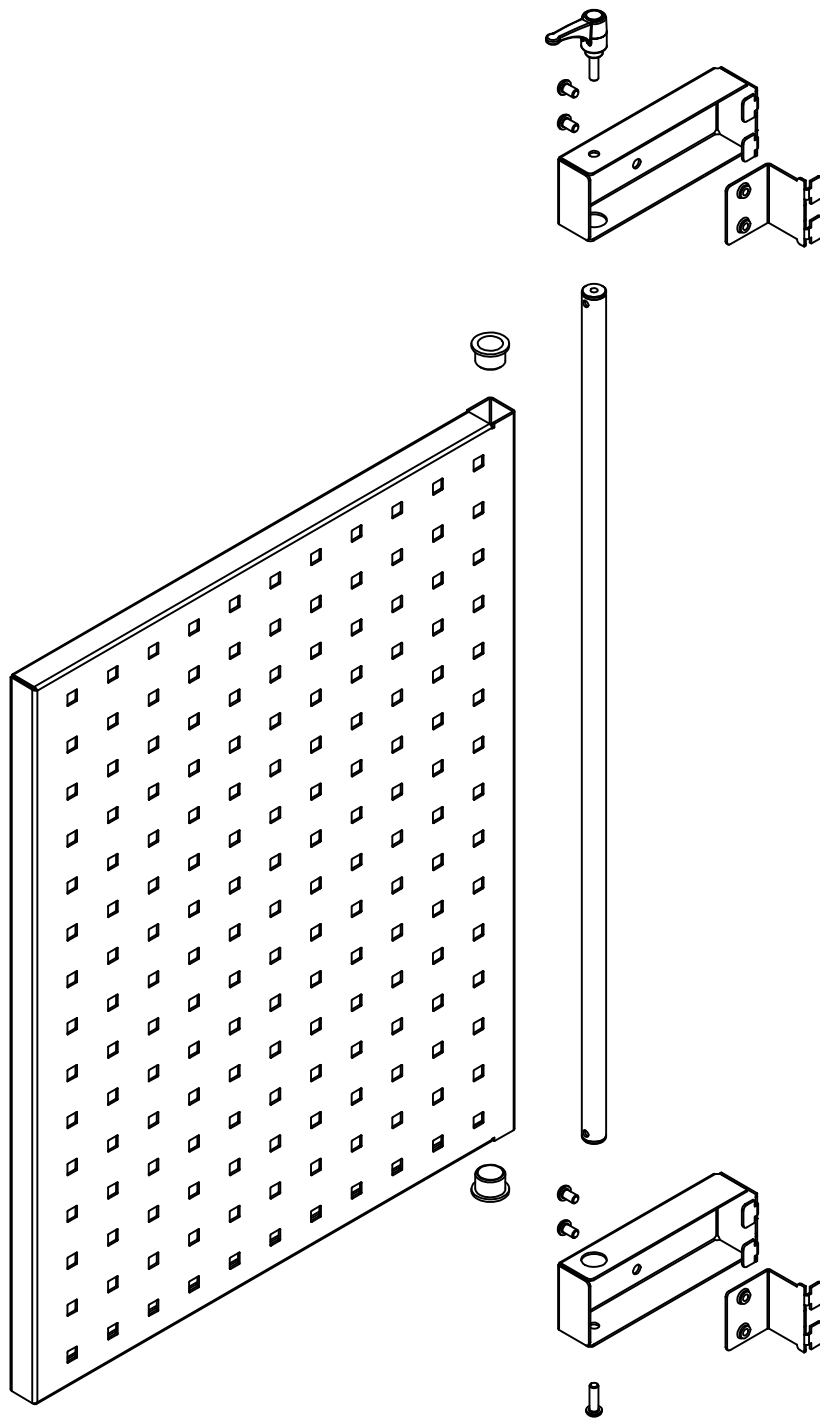


3-482

Rotating side panel 450x580 mm

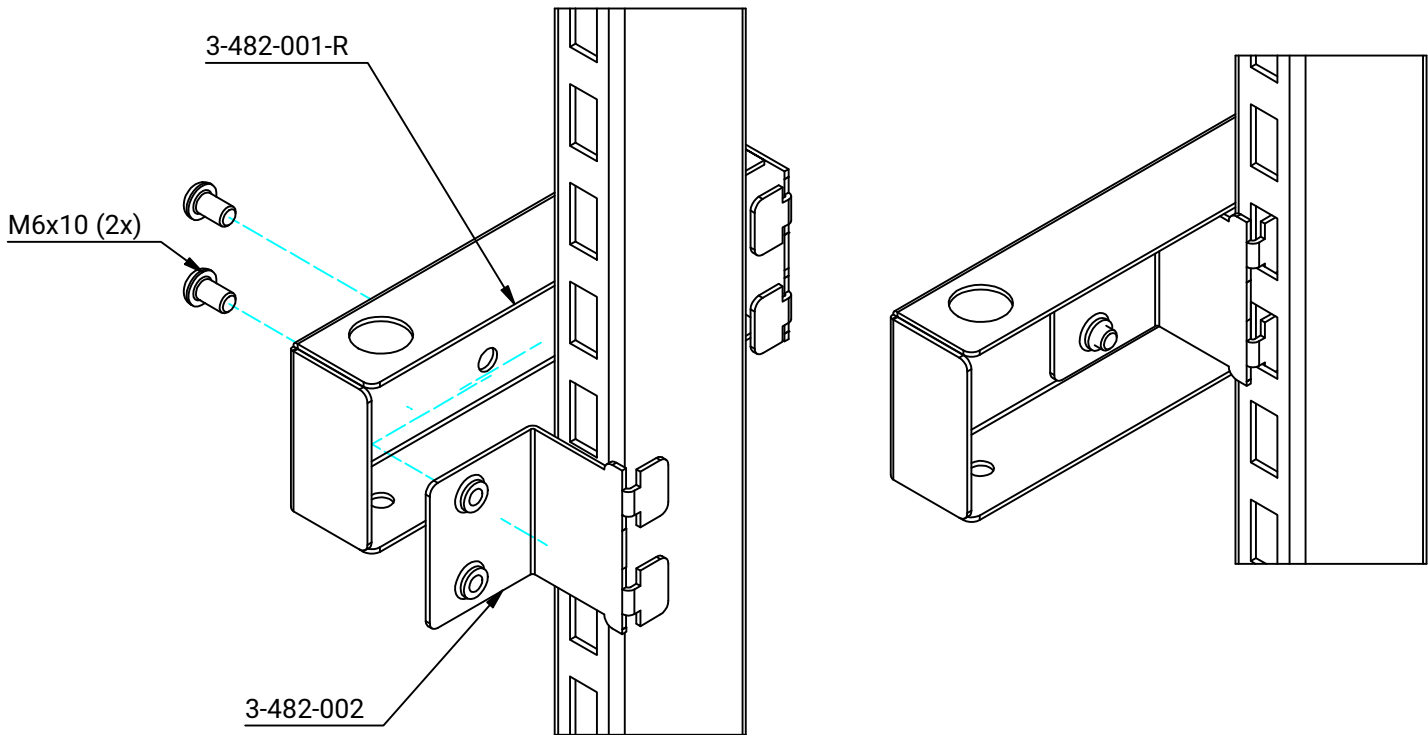




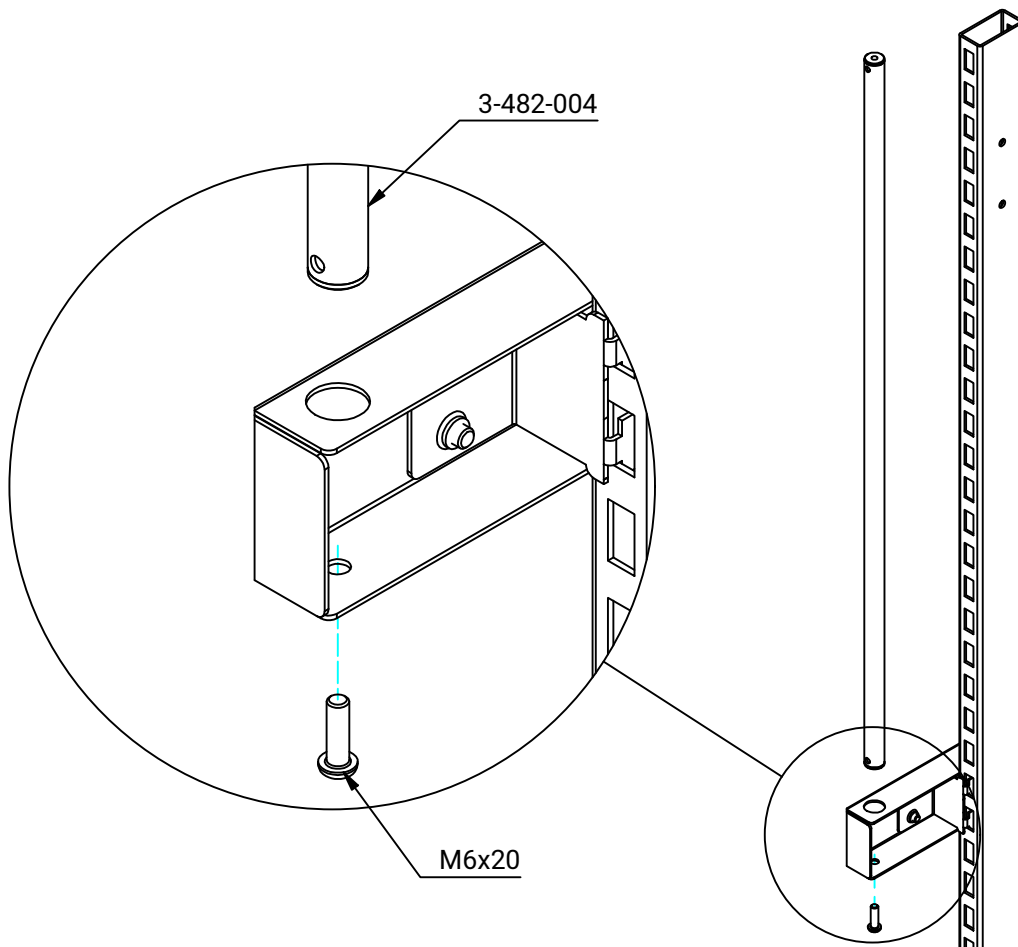
Left or right hand side mounting.

The instructions shows left hand mounting.

1

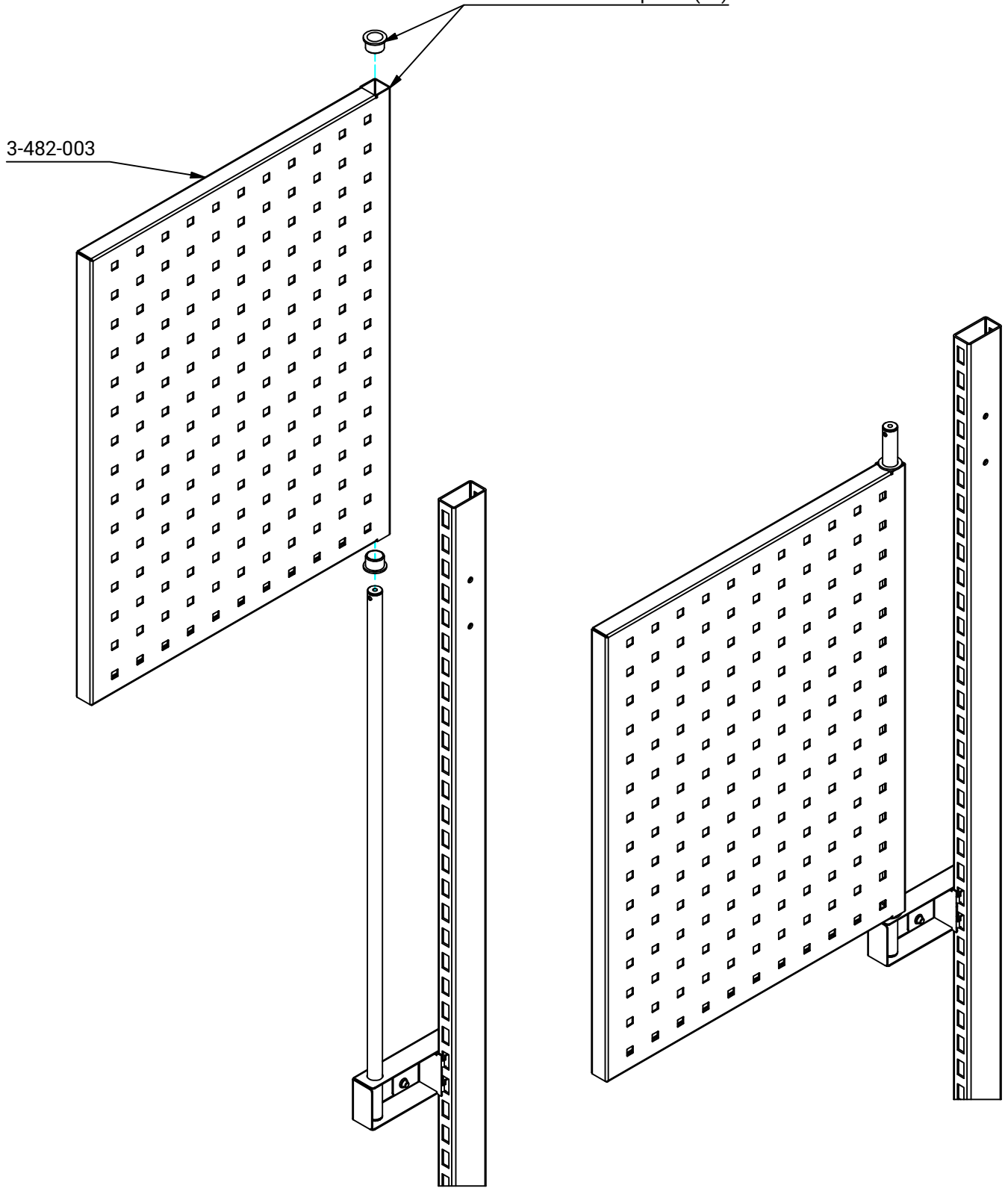


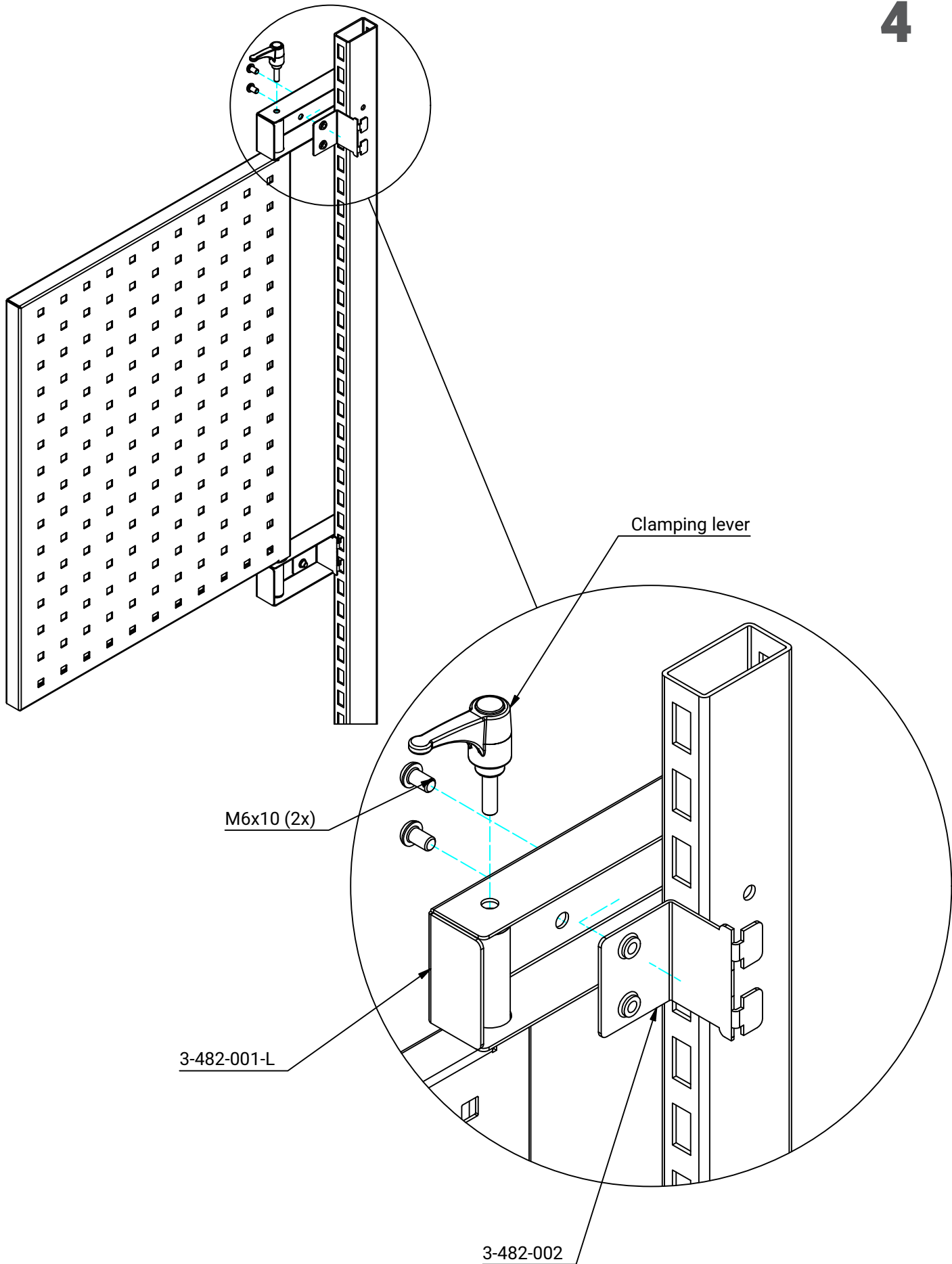
2



Insert the bushings
in the sheet metal panel (2x)

3-482-003





Use the lever to adjust
resistance or fix position

